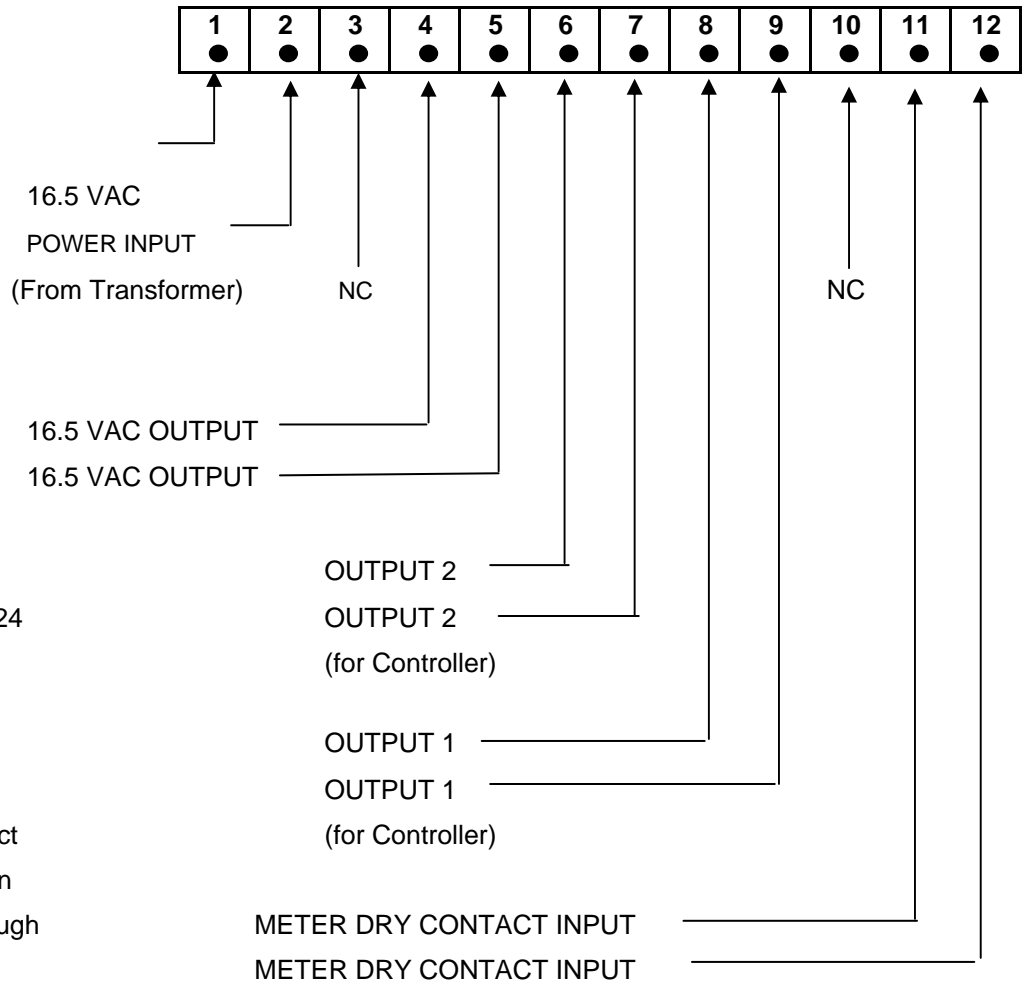


Installation Instructions

- Mount PP101 in convenient location. A transformer is provided to power unit with 16.5 VAC. This Power Pack will allow a dry contact water meter output signal to be split and routed to two devices, such as a remote counter and a controller. Using Option A Wiring, connect transformer output to PP101.
- If a remote counter is one of the two devices, it is recommended that the counter be kept away from solenoids, contactors, fans and other inductive devices.
- Wire remote counter to the PP101 Power Pack in accordance with these instructions (see diagrams.). Use A31R9-S Remote Counter (Option A) if distance from PP101 to counter is under 50'. Use A31R9-24 Remote Counter (Option B) if distance from PP101 to counter is 50 to 1000 Feet.
- The counter advances one (1) digit for each contact received from the meter. To read the counter, multiply the reading by the gallon per contact setting of the meter. Example: A 50 GPC meter and a reading of 128 on the remote counter, $50 \times 128 = 6,400$ gallons of water have passed through the meter.
- Wire controller, ie. PTC timer control or PPC chemical feed pump control to Carlon PP101 (see Option A or B.)
- Contact Carlon Meter for any additional assistance if needed.

Specifications	
Power Input	16.5 VAC (from Transformer)
Operating Temperature	14° to 122° F

OPTION A - PP101 TERMINAL STRIP WIRING



OPTION B - PP101 TERMINAL STRIP WIRING

