

# Installation and Operating Instructions

## Carlton® PP101 Power Pack Signal Splitter



10/17

### CARLTON METER, INC. • PRODUCT WARRANTY

Carlton Meter, Inc.(hereinafter Carlton or "the company") warrants products of its manufacture to be free of defects in material or workmanship. Liability under this warranty extends for twelve (12) months from the date of purchase. Liability is limited to repair or replacement of any failed product or assembly proven to be defective in material or workmanship upon manufacturer's examination. Removal and installation costs are not included under this warranty. Manufacturer's liability shall never exceed selling price of the meter or assembly in question. Carlton disclaims all liability for damage its products caused as the result of improper installation, maintenance, use or attempts to operate products beyond their intended functionality, intentionally or otherwise. Carlton is not responsible for damages, injuries or expenses incurred through the use of its products. The above warranty is in lieu of all other warranties, either expressed or implied. No agent of the company is authorized to alter or otherwise revise this warranty.

For complete specifications visit our website: [www.carltonmeter.com](http://www.carltonmeter.com)



*Leaders in water measurement and control*

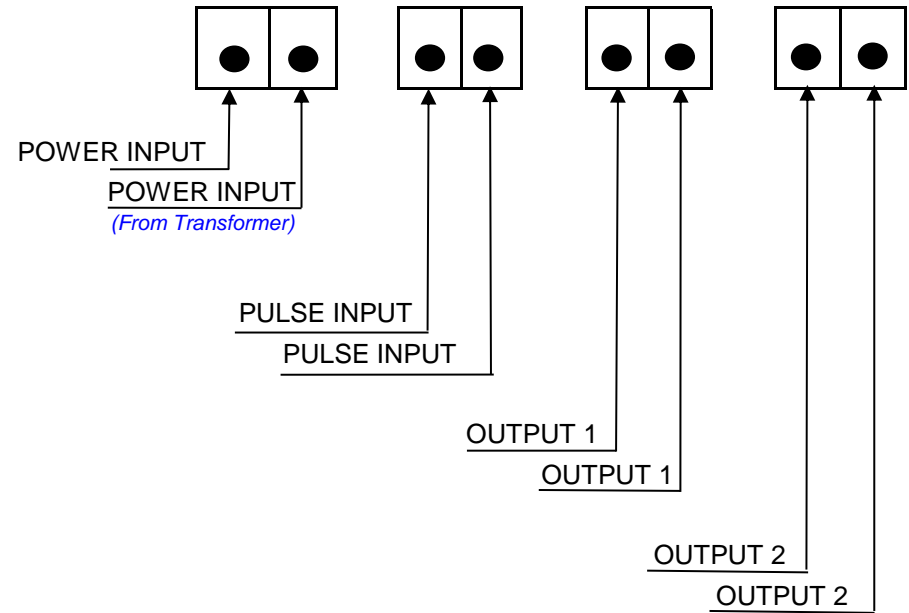
1710 Eaton Drive  
Grand Haven, MI 49417

Ph: (616) 842-0420  
Fax: (616) 842-1265  
E-mail: [carlton@carltonmeter.com](mailto:carlton@carltonmeter.com)  
Website: [www.carltonmeter.com](http://www.carltonmeter.com)

## PP101 Installation Instructions

1. Mount PP101 in convenient location. A transformer is provided to power unit. This Power Pack will allow a dry contact water meter output signal to be split and routed to two devices, such as a remote counter and a controller.
2. If a remote counter is one of the two devices, it is recommended that the counter be kept away from solenoids, contactors, fans and other inductive devices.
3. Wire remote counter to the PP101 Power Pack in accordance with these instructions (see diagram).
4. The counter advances one (1) digit for each contact received from the meter. To read the counter; multiply the reading by the gallon per contact setting of the meter. Example: A 50 GPC meter and a reading of 128 on the remote counter,  $50 \times 128 = 6,400$  gallons of water have passed through the meter.
5. Contact Carlon Meter for any additional assistance if needed.

## PP101 Internal Terminal



### Specifications

Power Input .....From transformer provided  
 Operating Temperature ..... 14° to 122° F

